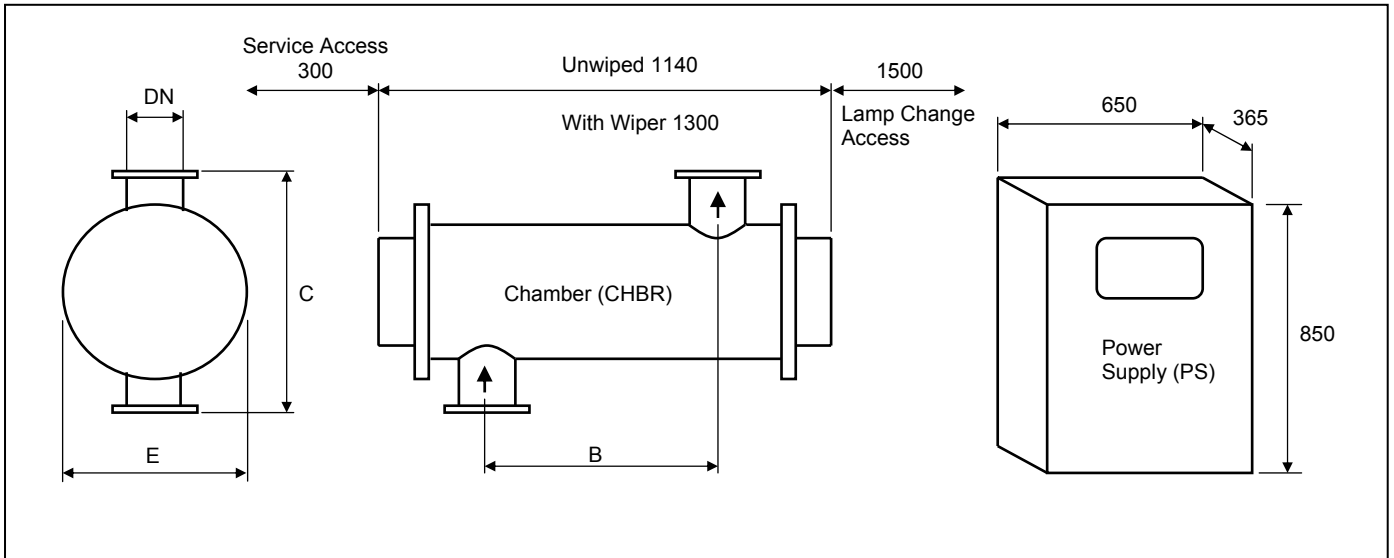


## Specification

### Disinfection Range – Multi-lamp Low Pressure



All dimensions (mm) are approximate for clearance purposes only. Design improvements might invalidate these dimensions. Exact drawings available on request.

REF	B	C	E	DN	WEIGHT Kg		POWER kW
					CHBR	PS	
LD150/2/3	710	400	240	80	40	52	0.2
LD200/2/3	710	550	290	80	60	52	0.2
LD200/4/3	710	550	290	80	60	52	0.4
LD200/6/4	710	550	290	100	60	62	0.6
LD320/6/6	660	600	410	150	120	62	0.6
LD320/8/6	660	600	410	150	120	62	0.8
LD320/12/6	610	600	410	150	120	82	1.2

**Connections standard:** PN16

**Options:** TRICLAMP, ANSI, JIS, RJT, ISS, BSP

**Construction:**

- Chamber body 316L SS electro-polished
- High purity quartz sleeves
- UPW specification (option)
- Working / test pressure: 10/15 bar
- Pressure loss <70mbar at max flow
- Cabinet IP ratings: IP54/NEMA 4
- Cabinet in epoxy coated steel
- Cooling fans

**Certification & standards:**

- EN60204 and BS5500 (where applicable)
- Certified CE
- BS EN ISO9001 certified

**Supply voltages:**

230 volt 50/60 Hz

**Safety:**

- Door interlocked cabinet isolator
- Separate door locks
- Power supply over-temperature cut-out

**Hanovia Multi-lamp Low Pressure Range provides a simple and economical approach to water disinfection based on the new Hanovia high intensity low pressure UV lamps.**

## **Controls & features:**

### **Operational features:**

- Controls - on/off switch
- Remote start / stop
- Volt –free contacts: lamp on / lamp fail  
low UV level (option)
- Non-resettable hours run counter
- Chamber over-temperature LED and cut out (for systems with 12+ lamps)
- PSU over-temperature cut out and alarm LED

### **New Hanovia UV lamp:**

- High density output at 254nm wavelength
- Designed for high efficiency, easy starting and long life (in excess of 8000 hours)

### **Hanovia UV monitor:**

- Sensitive only to germicidal UVC wavelengths
- Immersed directly in the water to avoid problems of condensation on windows
- Pre-calibrated and certified to NPL traceable norms (option)

### **Options:**

- UV monitor with LED readout and low UV alarm
- Automatic or manual wiping mechanism
- Cabinet anti-condensation heater
- Cabinets in 304 or 316 Stainless Steel
- Skid mounted systems, pre-wired and tested
- UPW specification
- Vent / drain valves
- Certified arc tubes and UV monitors
- FDA validation pack

### **Installation Notes**

- Install in a dry area
- Temperature >0°C and <50°C
- RH <90%
- Insulate from extreme cold
- Install chamber horizontally with water exit at top
- Allow maintenance space around system
- Control cabinet display should be at eye level

### **Worldwide distribution**

Hanovia UV systems are readily available through selected distributors in most parts of the world.

### **Technical and sales support staff**

If you require any further information, our highly trained sales and service staff will help you select and install the best plant for your needs. Our comprehensive after-sales service includes a full range of spares and professional technical backup, with an optional service contract.

# Hanovia

WORLD CLASS UV

Hanovia Limited  
145 Farnham Road  
Slough, SL1 4XB  
England

† +44 (0) 1753 515300

f +44 (0) 1753 534277

e Sales@hanovia.com

w www.hanovia.com



A  
HALMA GROUP  
COMPANY